



# Architectural Ironmongery Catalogue

## Cubicle Hardware



# Cubicle Hardware

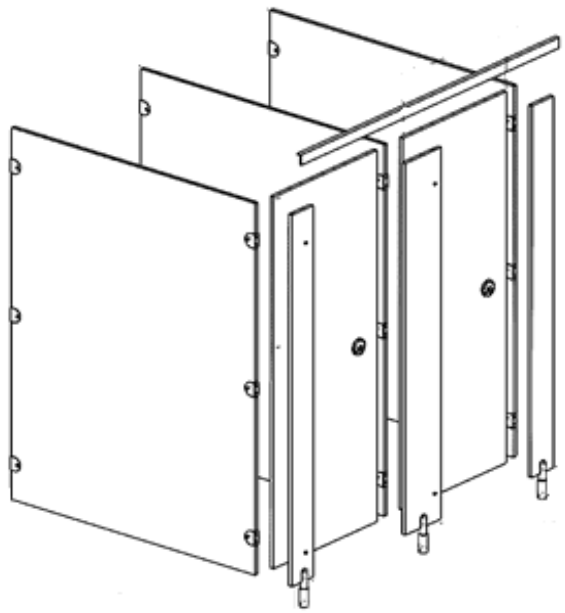
A range of hard-wearing cubicle hardware manufactured from high grade, satin anodised aluminium.

Suitable for all environments.

For boards and panels 17-21mm thick. Each product comes with all necessary fixings.

This is a well-proven, robust hardware range manufactured from materials uniquely suited to cubicle environments.

Ongoing commitments to manufacture ensure guaranteed replacement parts on a like-for-like basis long into the future.



Description	Prod Code
Clearance 150mm	CUB211
Clearance 100mm	CUB233



Description	Prod Code
150mm Clearance	CUB222

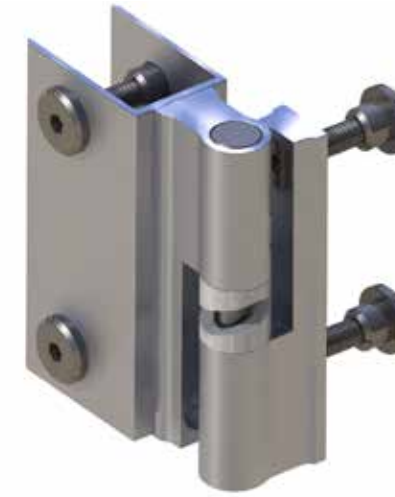


Description	Prod Code
Open Bracket (3 per pack)	CUB111



Description	Prod Code
Channel Bracket (3 per pack)	CUB122

# Cubicle Hardware



Description	Prod Code
Hinge (Pairs)	CUB311



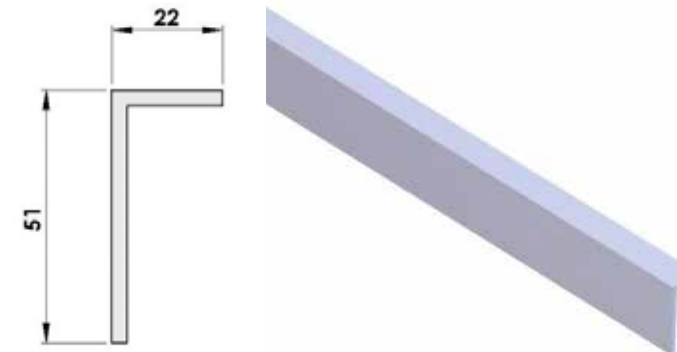
Description	Prod Code
85mm Projection	CUB611



Description	Prod Code
Rounded	CUB411



Description	Prod Code
Square	CUB422



Description	Prod Code
Headrail (4000mm)	CUB511



Description	Prod Code
Anti-Vandal	CUB644



W T Lynn Ltd  
Navigation Road  
Burslem  
Stoke on Trent  
ST6 3RU

Tel: 01782 834818  
Fax: 01782 825856  
Email: [sales@wtlynn.co.uk](mailto:sales@wtlynn.co.uk)

