



Architectural Ironmongery Catalogue

Locks

Padlocks



EN12320 - Padlocks

EN12320 is the European Standard for Padlocks. Where it is stated in a product's description that it has a security rating under EN12320 it indicates the following statement of conformity from the manufacturer.

“This product has been successfully type-tested for conformity to all the requirements of EN12320. Test reports and certificates are available upon request. Regular audit testing is undertaken.”

This is the wording required by the standard, and it is a stronger wording than “*tested to*”, “*designed to conform to*”, “*conforms to*” or “*approved to*”. Such weak statements of conformity are usually an indication of an untested product. Where a security rating under EN12320 is stated on a product page it indicates, and can be taken as meaning, a **proper statement of conformity** as prescribed.

As there is no requirement for most of the categories of tests, and all of our EN12320 padlocks have been tested to Grade 3 for corrosion resistance, we do not show this information on the product page. We instead indicate the test results for the last box, e.g. EN12320 Security Grade 6, EN12320 Security Grade 3 etc.

Digit 1

Category of use No requirement

Digit 2

Durability (no. of test cycles) No requirement

Digit 3

Door mass No requirement

Digit 4

Fire resistance No requirement

Digit 5

Safety in use No requirement

Digit 6

Corrosion resistance 2 grades: 1, internal applications, 3* external applications.

- grade 1: internal applications

- grade 3*: external applications

*The standard has been published containing an error. BSI is making arrangements to correct this.

Digit 7

Security Requirements

6 grades where 6 is the highest and 1 the lowest (see table opposite)

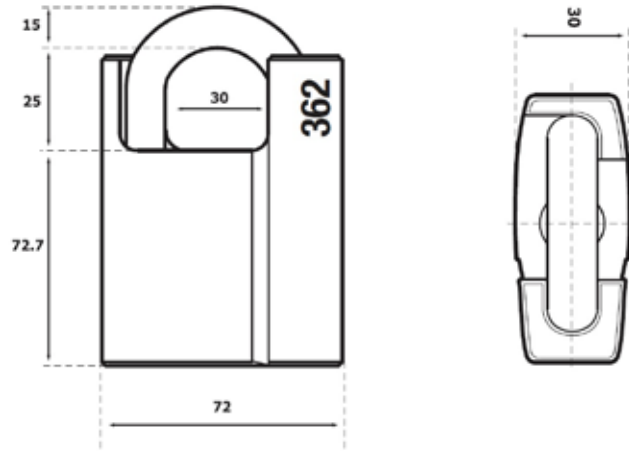
EN12320 - Padlocks

Requirement	Test Parameter*	Grades						Unit
		1	2	3	4	5	6	
Minimum number of effective key differs	n	300	1000	2500	5000	10000	20000	-
Non-interpassing of keys with just one interval differ- Torque on key	M1	1	1	1,5	1,5	1,5	1,5	Nm
Resistance to force on cylinder plug or locking mechanism	F1	-	-	4	5	10	15	kN
Resistance to torque on cylinder plug or locking mechanism	M2	-	2,5	5	15	20	30	Nm
Resistance to pulling of shackle and staple	F2	3	5	15	30	70	100	kN
Resistance to twisting of shackle and staple	M3	40	100	200	450	1200	2500	Nm
Resistance to cutting of shackle and staple	F3	6	15	25	35	70	100	kN
Resistance to impact on padlock body	T	-	-	-20	-20	-40	-40	°C
shackle and staple at low temperature	m	-	-	1250	3050	6550	7150	g
	h	-	-	800	1000	1400	1500	mm
Resistance to drilling of padlock body, shackle and staple	t	-	-	-	2	4	8	min
Resistance to sawing of padlock body, shackle and staple	t	-	-	-	2	4	8	min

Note: Classification is in six grades where grade 1 has the lowest requirement.

*Refer to the full standard for details.

Padlocks - EN12320 Grade 6



Highest security padlock tested to EN12320 Grade 6.

Body of hardened steel with a satin chrome plate. Shackle of rust-proofed hardened steel.

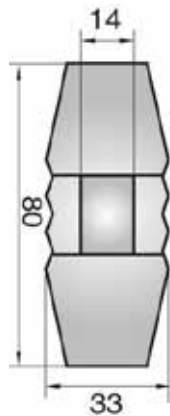
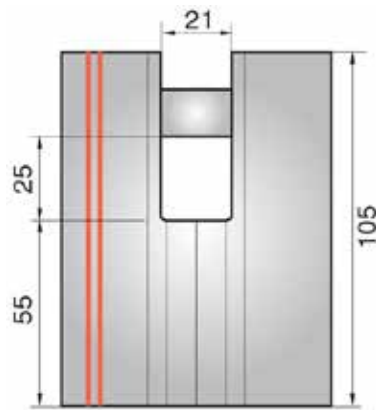
Drainage holes to prevent body freezing.

Incredibly smooth disc operation, and lifetime servicing is available.

This padlock is available keyed alike or on a master system, from our workshop.

Key duplication restriction is standard from international patents.

Prod Code
PROPAD8



Highest security padlock tested to EN12320 Grade 6.

Body of hardened steel with a black chrome plate. Shackle of rust-proofed hardened steel.

Drainage holes to prevent body freezing.

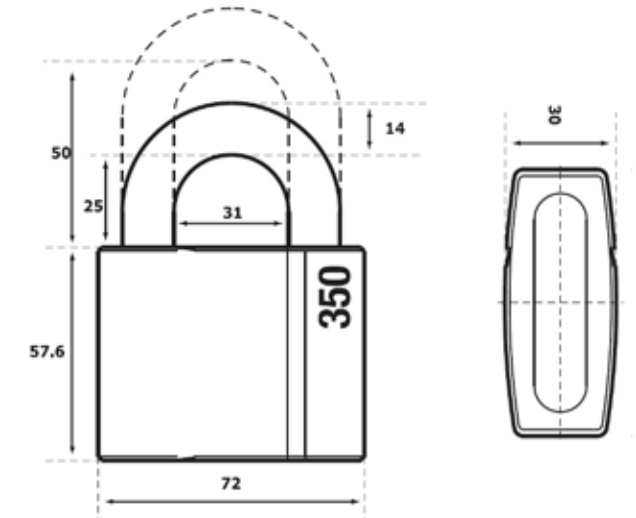
Pin tumbler operation, and lifetime servicing from us.

This padlock is available keyed alike or on a master system, from our workshop.

Key duplication restriction is standard from international patents.

Prod Code
AS5800-PAD8

Padlocks - EN12320 Grade 5



Very high security padlock tested to EN12320 Grade 5. IP57 versions available for the most demanding environments.

Body of hardened steel with a satin chrome plated. Shackle of rust-proofed hardened steel.

Drainage holes to prevent body freezing.

Incredibly smooth disc operation, and lifetime servicing is available.

This padlock is available keyed alike or on a master system, from our workshop.

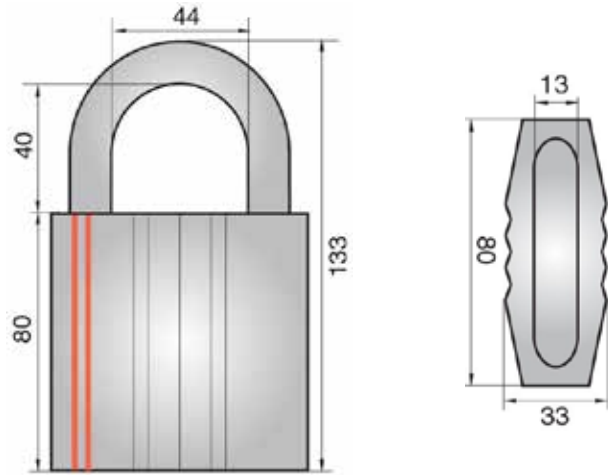
Key duplication restriction is standard from international patents.



Description	Prod Code
25mm Shackle	PROPAD7-25
50mm Shackle	PROPAD7-50
25mm Shackle IP57	PROPAD7-25IP
50mm Shackle IP57	PROPAD7-50IP



Padlocks - EN12320 Grade 5



Very high security padlock tested to EN12320 Grade 5.

Body of hardened steel with a black chrome plate. Shackle of rust-proofed hardened steel.

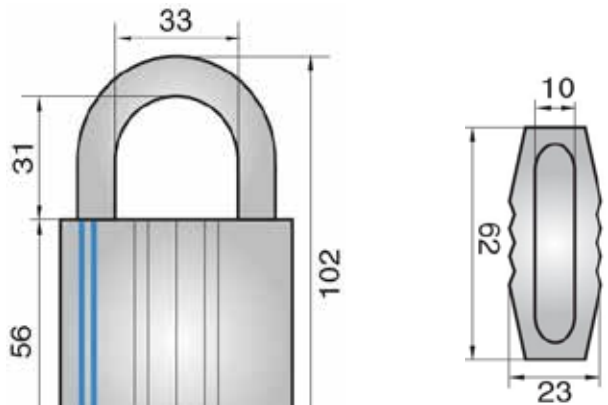
Drainage holes to prevent body freezing.

Pin tumbler operation, and lifetime servicing is available.

This padlock is available keyed alike or on a master system, from our workshop.

Key duplication restriction is standard from international patents.

Prod Code
AS4800-PAD7

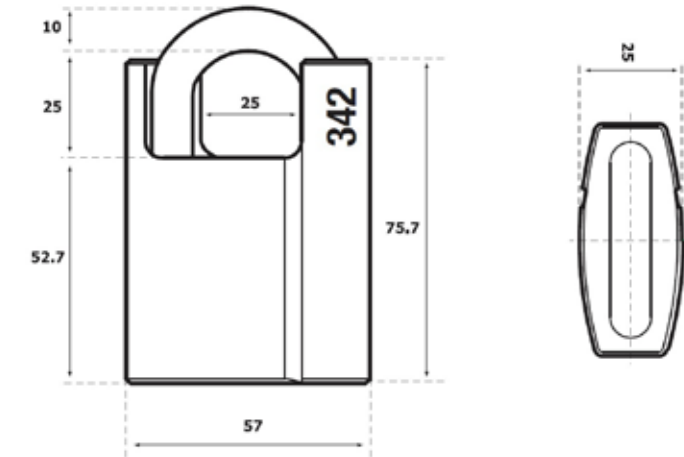


The specification of this padlock is as above (AS4800-PAD7), except it has been tested to EN12320 Grade 4.



Prod Code
AS4800-PAD6

Padlocks - EN12320 Grade 4



High security padlock tested to EN12320 Grade 4.

Body of hardened steel with a satin chrome plate. Shackle of rust-proofed hardened steel.

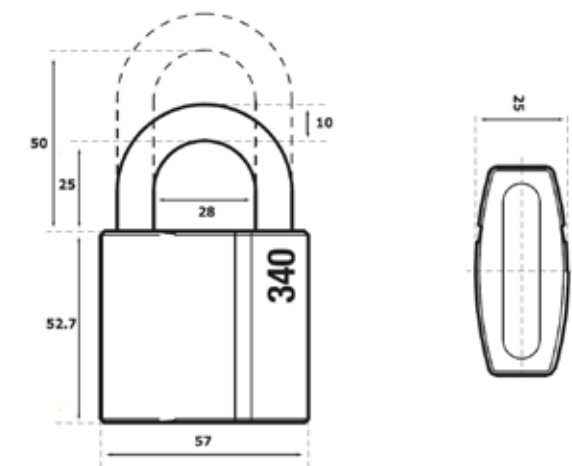
Drainage holes to prevent body freezing.

Incredibly smooth disc operation, and lifetime servicing is available.

This padlock is available keyed alike or on a master system, from our workshop.

Key duplication restriction is standard from international patents.

Prod Code
PRO-PAD6



Very high security padlock tested to EN12320 Grade 4. IP57 versions available for the most demanding environments.

Body of hardened steel with a satin chrome plated. Shackle of rust-proofed hardened steel.

Drainage holes to prevent body freezing.

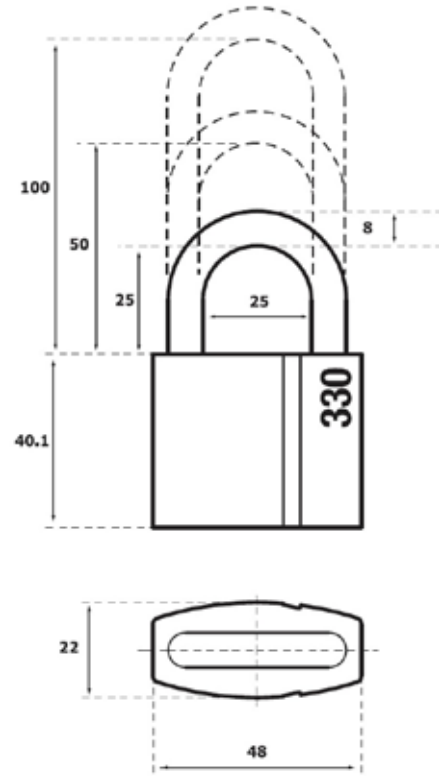
Incredibly smooth disc operation, and lifetime servicing is available.

This padlock is available keyed alike or on a master system, from our workshop.

Key duplication restriction is standard from international patents.

Description	Prod Code
25mm Shackle	PROPAD5-25
50mm Shackle	PROPAD5-50
25mm Shackle IP57	PROPAD5-25IP
50mm Shackle IP57	PROPAD5-50IP

Padlocks - EN12320 Grade 3



Security rated padlock tested to EN12320 Grade 3. IP57 versions available for the most demanding environments.

Body of extruded brass with a satin chrome plate. Shackle of rust-proofed hardened steel.

Drainage holes to prevent body freezing.

Incredibly smooth disc operation, and lifetime servicing is available.

This padlock is available keyed alike or on a master system, from our workshop.

Key duplication restriction is standard from international patents.

Description	Prod Code
25mm Shackle	PROPAD3-25
50mm Shackle	PROPAD3-50
100mm Shackle	PROPAD3-100
25mm Shackle IP57	PROPAD3-25IP
50mm Shackle IP57	PROPAD3-50IP
100mm Shackle IP57	PROPAD3-100IP



Padlocks - EN12320 Grade 3

Security rated padlock tested to EN12320 Grade 3.

Body of extruded brass with a black chrome plate. Shackle of rust-proofed hardened steel.

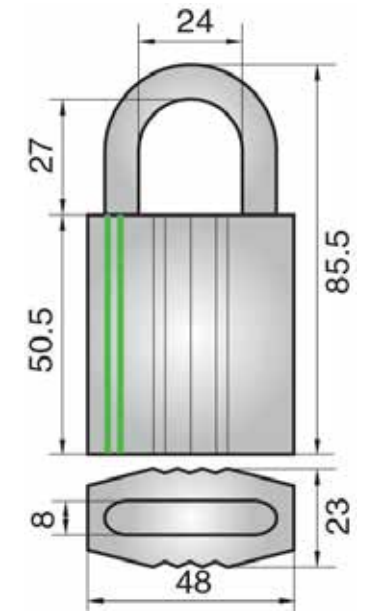
Drainage holes to prevent body freezing.

Pin tumbler operation, and lifetime servicing is available.

This padlock is available keyed alike or on a master system, from our workshop.

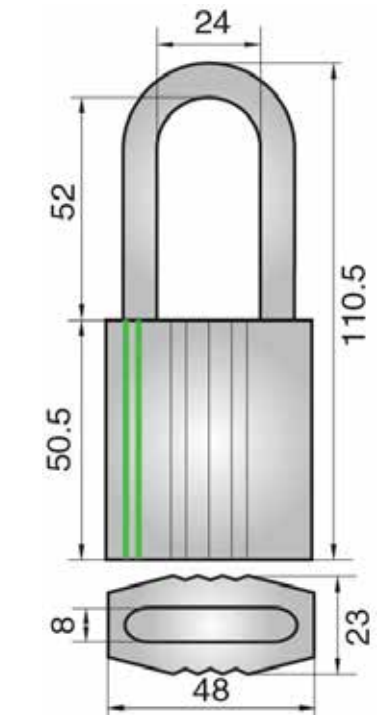
Key duplication restriction is standard from international patents.

Prod Code
SQAB2511



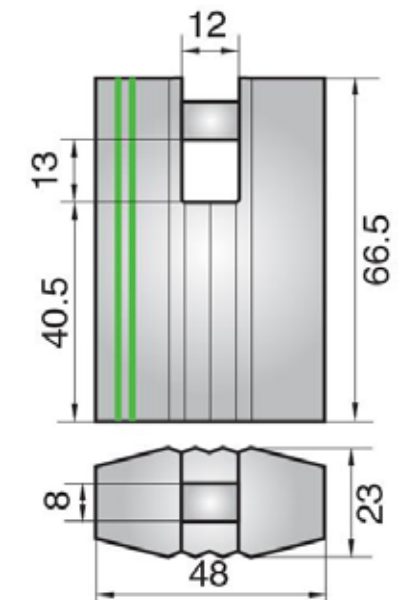
The specification of this padlock is as above (SQAB2511), except it has longer shackle.

Prod Code
ASF-PAD2

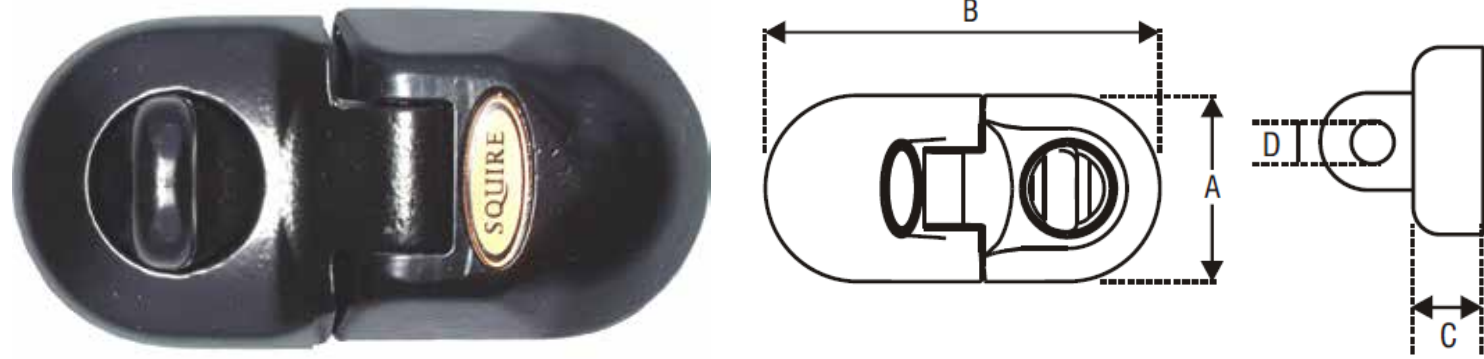


The specification of this padlock is as above (SQAB2511), except it has closed shackle.

Prod Code
ASF-PAD1



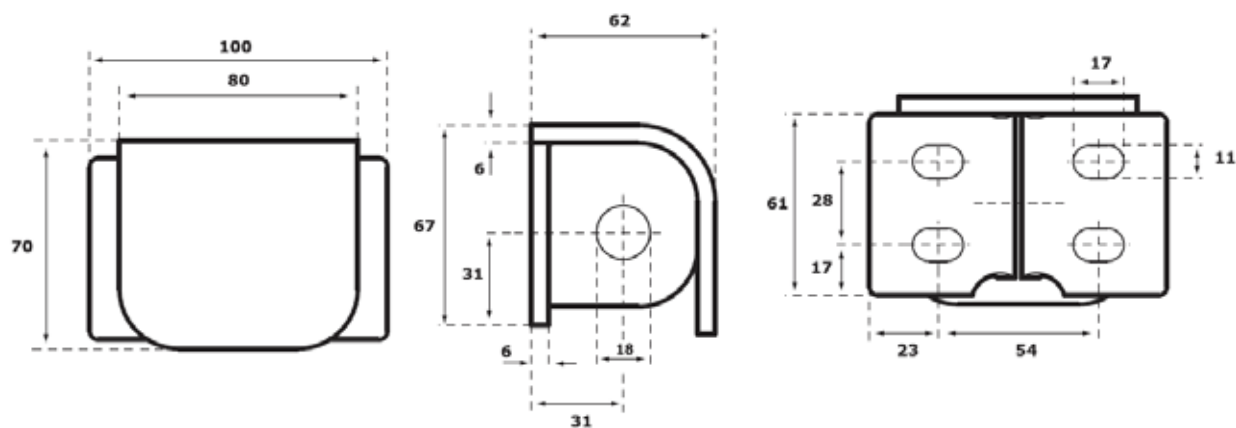
Padlocks - EN12320 Hasp & Staple



Highest security hasp and staple tested to EN12320 Grade 6 and Grade 4. In black powder coated finish.

Toughened body and rotating staple. Can be fitted straight or at an angle.

A (mm)	B (mm)	C (mm)	D (mm)	EN Grade	Prod Code
86	184	32	12.7	4	SQAB9-CEN4
				6	SQAB9-CEN4

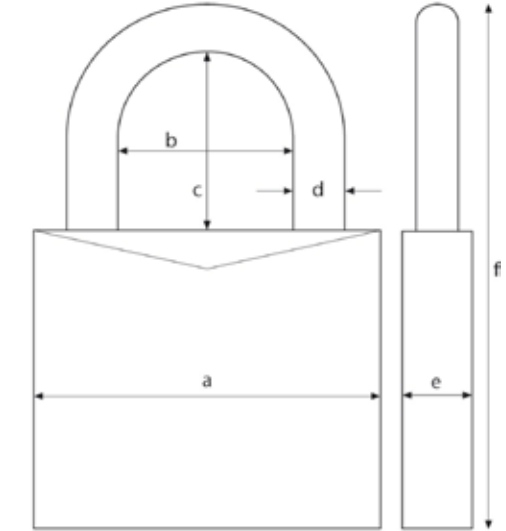


High security locking plates tested to EN12320 Grade 4. Manufactured from hardened steel with a durable zinc plate finish.

Main photograph is X hand

Hand	Prod Code
Left	PAD9L-CEN4
Right	PAD9R-CEN4

Padlocks - EN12320 Shrouds



Brass bodied padlocks with hardened steel shackle.

For residential and low risk applications.

The indicated security rating is a manufacturer's rating to assess padlocks within the range against one another. This rating is not part of a classification under EN12320 or any other recognised standard. These padlocks fall below the requirements of EN12320.

A (mm)	B (mm)	C (mm)	D (mm)	E (mm)	F (mm)	Security	Prod Code To Differ	Prod Code Keyed Alike
29	15	13	5	12	44	3	SQAB12	SQAB12KA
30	16	60	5	14	93	4	SQAB199	SQAB199KA
35	20	19	6	14	55	4	SQAB200	N/A
38	21	22	6	13	60	4	SQAB13	SQAB13KA
40	22	22	6	15	62	5	SQAB222	SQAB222KA
		63			103	5	SQAB230	SQAB230KA
48	25	24	7	14	68	5	SQAB17	SQAB17KA
50	28	29	8	18	77	6	SQAB233	SQAB233KA
		80			129	6	SQAB2380	N/A
60	33	35	10	19	97	6	SQAB244	N/A



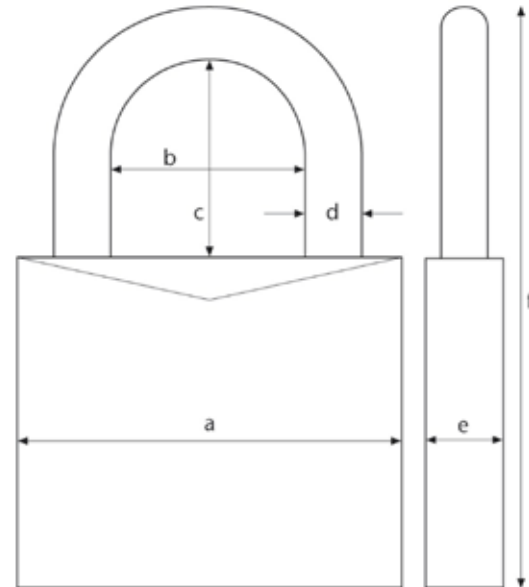
Laminated steel bodied padlocks with a corrosion resistant coating and a hardened steel shackle.

For medium risk applications, such as sheds, toolboxes etc

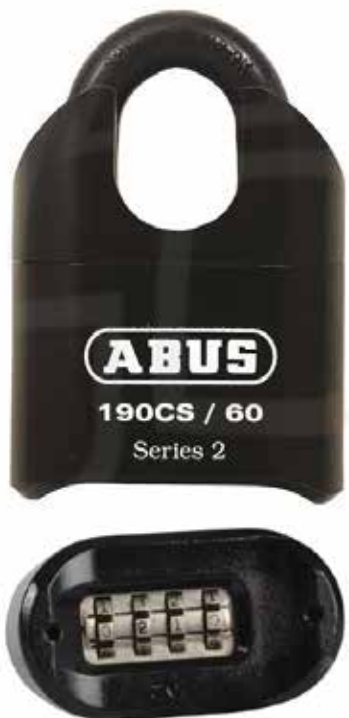
The indicated security rating is a manufacturer's rating to assess padlocks within the range against one another. This rating is not part of a classification under EN12320 or any other recognised standard. These padlocks fall below the requirements of EN12320.

A (mm)	B (mm)	C (mm)	D (mm)	E (mm)	F (mm)	Security	Prod Code
53	23	25	9	29	75	7	SQAB022

Padlocks - Combination



A (mm)	B (mm)	C (mm)	D (mm)	E (mm)	F (mm)	Security	Prod Code
52	25.5	33.5	8	26	101	5	SQAB5158



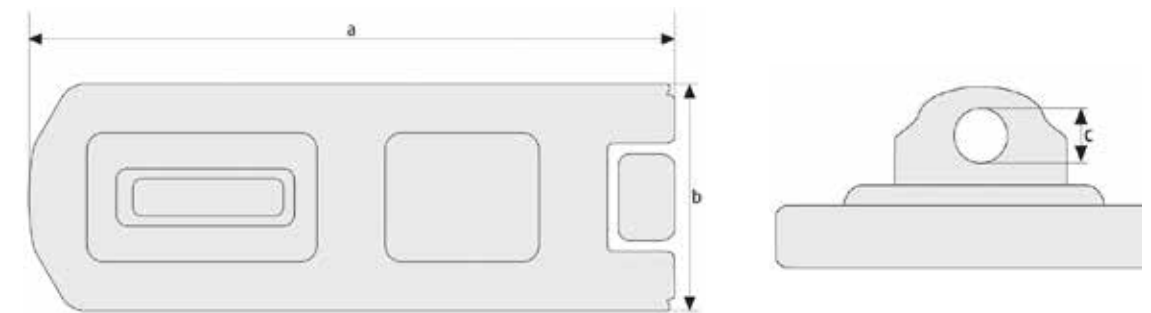
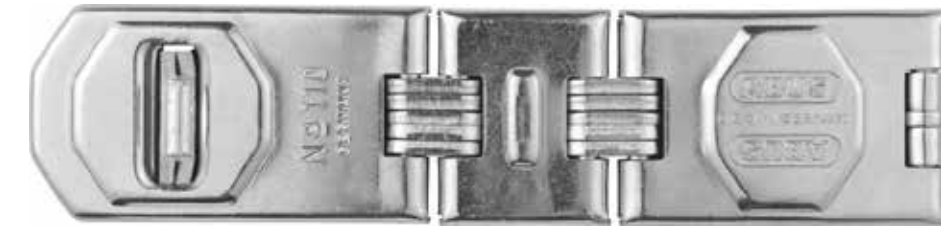
Zinc die-cast bodied padlock with hardened steel shackle (above).

Zinc die-cast bodied padlock with hardened steel jacket and shackle (right).

The indicated security rating is a manufacturer's rating to assess padlocks within the range against one another. This rating is not part of a classification under EN12320 or any other recognised standard. These padlocks fall below the requirements of EN12320.

A (mm)	B (mm)	C (mm)	D (mm)	E (mm)	F (mm)	Security	Prod Code
62.5	22	29	11.5	35	91.5	8	SQAB5158-HI

Padlocks - Hasp & Staples

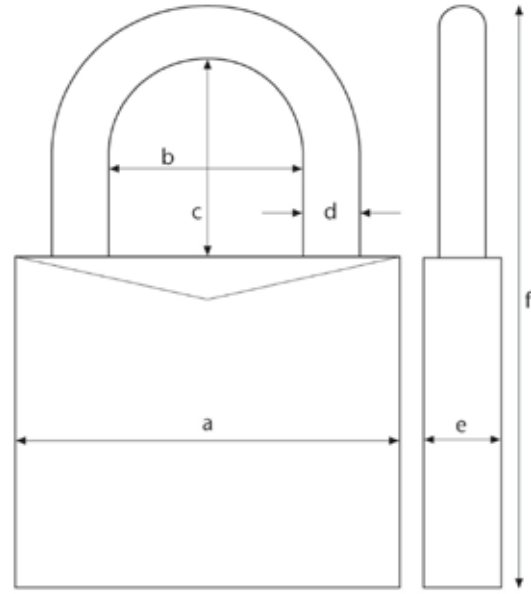


Medium security hasp and staple range manufactured from hardened steel and weatherproofed zinc plate finish.

The indicated security rating is a manufacturer's rating to assess hasp and staples within the range against one another. This rating is not part of a classification under EN12320 or any other recognised security standard. These hasp and staples fall below the requirements of EN12320.

A (mm)	B (mm)	C (mm)	Links	Security	Prod Code
60	20	7	N/A	4	PAD25A
100	35	10	N/A	4	PAD26B
155	45	12.2	1	8	PAD27C
195	45	12.2	2	8	PAD28D

Padlocks - Lockoff



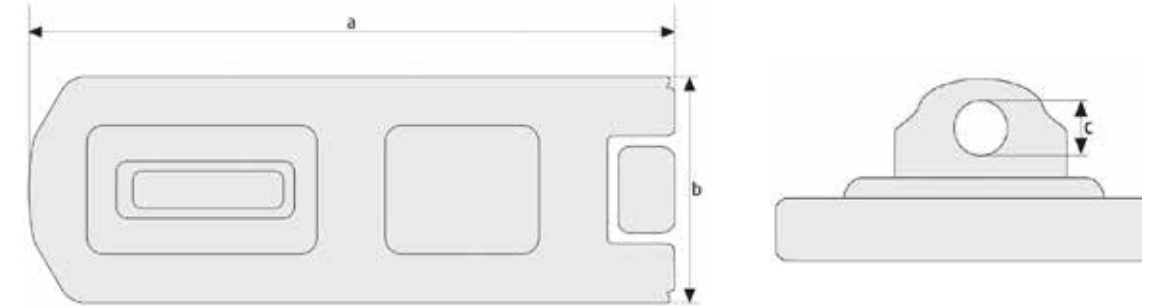
Brass bodied padlocks with a brass shackle. Non-sparking.

For residential and low risk applications, particularly suited to marine applications or for locking off services whilst maintenance is carried out.

The indicated security rating is a manufacturer's rating to assess padlocks within the range against one another. This rating is not part of a classification under EN12320 or any other recognised standard. These padlocks fall below the requirements of EN12320.

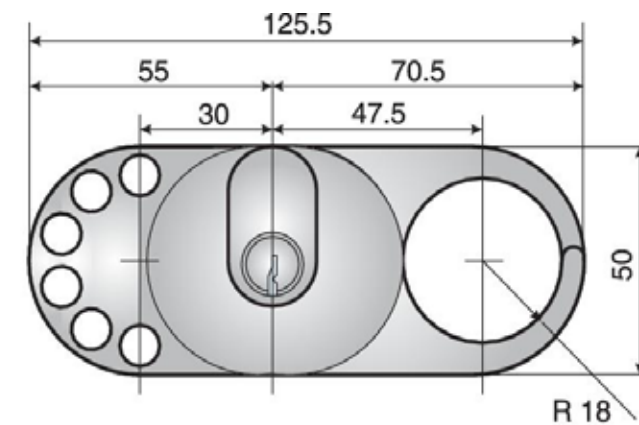
A (mm)	B (mm)	C (mm)	D (mm)	E (mm)	F (mm)	Security	Colour	Prod Code
43	20	21	7	17	59	4	Black	SQAB8001
							Blue	SQAB8022
							Green	SQAB8033
							Grey	SQAB8044
							Red	SQAB8055
							Yellow	SQAB8066

Padlocks - Lockoff



Lock Off hasp manufactured from steel, with red plastic coating, for use with the padlocks on the opposite page

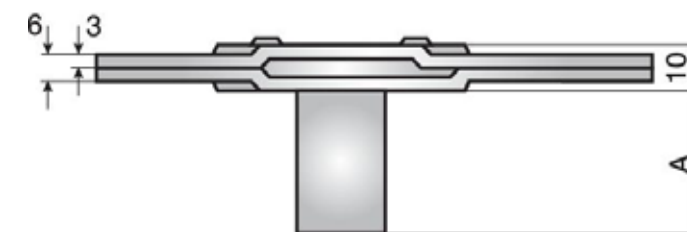
A (mm)	B (mm)	C (mm)	Jaw	Security	Prod Code
115	40	9	25	N/A	SQAB8425
			38		SQAB8438



Lock Off hasp manufactured from steel with Facility Manager's key.

This product can be incorporated into a master system.

Prod Code
ASx-BLOCK





W T Lynn Ltd
Navigation Road
Burslem
Stoke on Trent
ST6 3RU

Tel: 01782 834818
Fax: 01782 825856
Email: sales@wtlynn.co.uk

